

HOVERLIFT®

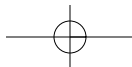
by Hoveround®

ATTENTION:

Please read the content of your owner's manual before operating your power wheelchair.





OWNER'S MANUAL & WARRANTY



Special Notes

Signal words are used in this manual and apply to hazards or unsafe practices that could result in personal injury or property damage. Refer to the table below for definitions of the signal words.

SIGNAL WORD	DEFINITION
 WARNING	Indicates a hazardous situation that, if not avoided, could result in death or serious injury.
 CAUTION	Indicates a hazardous situation that, if not avoided, may result in minor or moderate injury.
NOTICE	Indicates a hazardous situation that, if not avoided, may result in property damage.

In addition, some information is highlighted with the word "Note." Notes usually contain information regarding troubleshooting the power wheelchair when an indicator or fault light appears.

Using the Hoveround® product safely depends upon your diligence in following the warnings, cautions, and instructions in this owner's manual. Hoveround® is not responsible for injuries and/or damage resulting from any person's failure to follow the warnings, cautions, and instructions in this owner's manual. Hoveround® is not responsible for injuries and/or property damage resulting from any person's failure to exercise good judgment and/or common sense.

All rights reserved. No part of this publication may be reproduced, stored in a retrieval system, or transmitted in any form by any means, electronic, mechanical, photocopying, recording or otherwise, without the prior written permission of HOVEROUND® CORPORATION.

Neither HOVEROUND® CORPORATION nor its affiliates shall be liable to the purchaser of this product or third parties for damages, losses, cost or expenses incurred by purchaser or third parties as a result of: accident, misuse, or abuse of this product or unauthorized modification, repairs, or alterations to this product.

HOVEROUND® MPV 5, TEKNIQUE and HOVERLIFT® are registered trademarks of the HOVEROUND® CORPORATION. Other product names used herein are for identification purposes only and may be trademarks of their respective owners. Hoveround® disclaims any and all rights in those marks.

Specifications and equipment are subject to change without notice.

Dear HOVERLIFT® Owner,

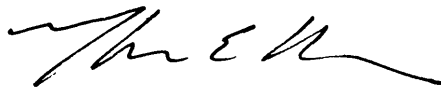
Congratulations on your choice of the HOVERLIFT® vehicle lift to fulfill your personal mobility needs.

The HOVERLIFT® has the same innovation of design that is the hallmark of our company. It is attractive yet rugged; simple yet functional; gentle yet powerful; and above all, the HOVERLIFT® provides an outstanding level of functionality.

Designed for compatibility with the Hoveround® MPV5, Technique® FWD and XHD, the HOVERLIFT® power chair lift will afford reliable transportation for your Hoveround® product, for years to come. Should you have questions or concerns, our customer service personnel are only a toll-free call away.

Welcome to our family, and thank you for choosing the HOVERLIFT® by Hoveround®.

Happy motoring.



Thomas E. Kruse, President
Hoveround® Corporation

Table Of Contents

Introduction	6
General Warnings Before You Use Your HOVERLIFT®	7
HOVERLIFT® / Diagram	9
HOVERLIFT® / Warning Labels	10
Chapter 1	11
Installation	11
How To Install To Your Vehicle	11
Chapter 2	14
Loading / Unloading	14
How To Load And Secure your Hoveround® For Transport	15
How To Unload your Hoveround® From The Lift	18
Chapter 3	20
Storing The Platform For Transport	20
Chapter 4	23
Maintenance and Troubleshooting Guidelines	23
Chapter 5	25
Swing Away Arm Option	25
Appendix A	29
HOVERLIFT® Specifications	29
Limited Warranty	30

Introduction

Hoveround® Corporation is a home medical equipment provider dedicated to serving people with mobility needs. Our reputation for service and our concern for our clients assures the highest standards of professionalism available.

At Hoveround® we know that clients are happier and progress faster when they can convalesce in familiar home surroundings. Our goal is to be an active participant in making that a reality. Our staff consists of dedicated professionals who take exceptional pride in the products and services they provide. These include mobility specialists, factory trained technicians and skilled customer service personnel.

Whenever your mobility needs require special attention and equipment delivered with an extra measure of care and concern, you can count on Hoveround®.

Service

Service is our commitment to our clients and their continued mobility is our priority. In the event that you need assistance with your Hoveround®, our Service Representatives are just a phone call away.

Just call Hoveround® Technical Support and Repair, toll free at 1-800-96-HOVER (1-800-964-6837).

General Warnings

Before You Use Your HOVERLIFT®

Before You Use Your HOVERLIFT®

Your HOVERLIFT® is designed to lift and transport your Hoveround® power chair when it is attached to a Class 2 or Class 3 trailer hitch. Under no circumstances should the lift be used for any other purpose or to transport any other style of power chair or scooter.

WARNING

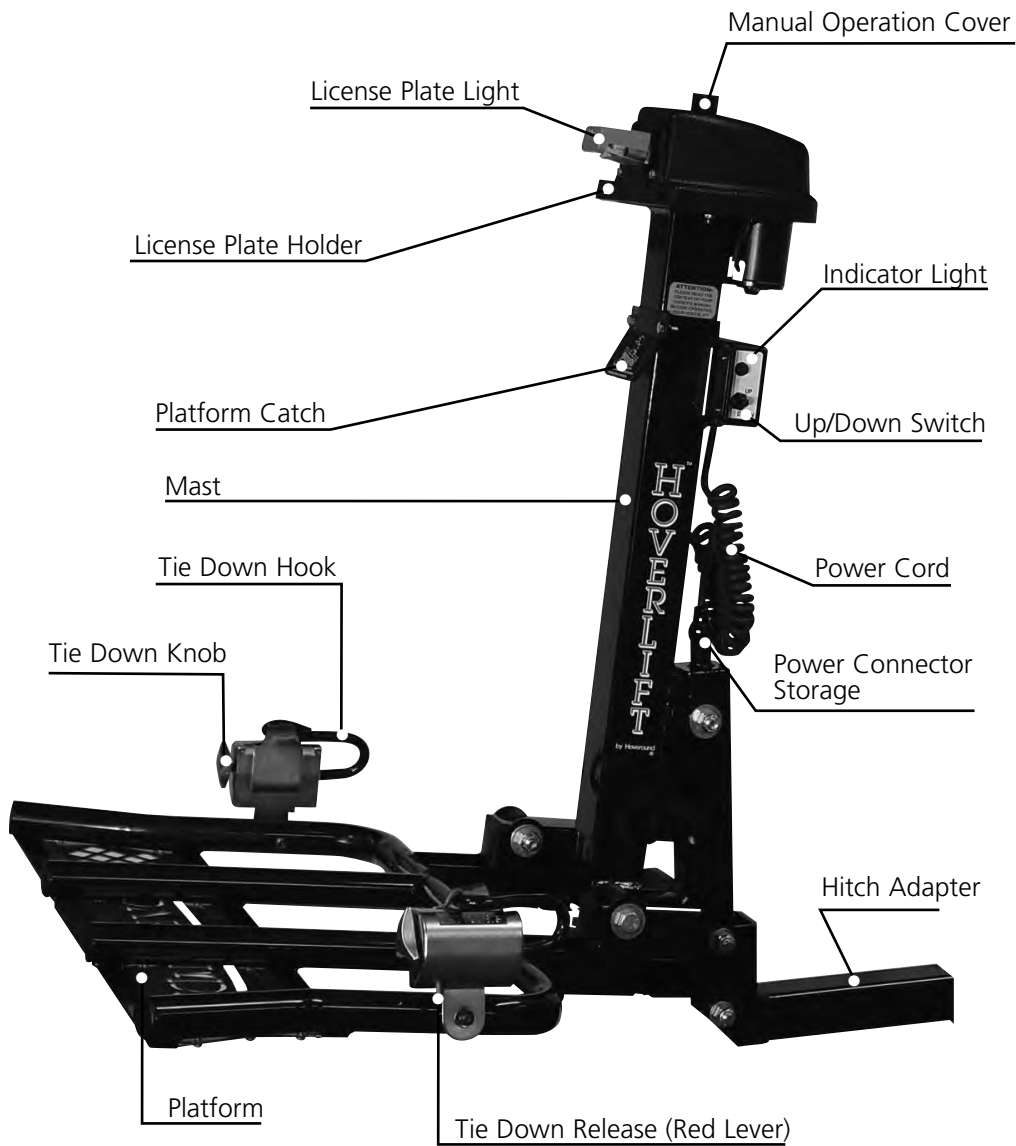
To avoid serious injury or death:

- Do not occupy the power chair while it is on the lift. The lift is not intended for human transport.
- Always use a class 2 or class 3 hitch system. The lift has been designed for attachment to a Class 2 or Class 3 vehicle hitch system. Do not use with any other class of vehicle hitch system. Before installing the lift make sure the hitch has been properly installed, has no rust, corrosion, wear or damage and the front and rear vehicle suspension is in proper working order.
- Do not alter or modify the lift in any way.
- Do not use the lift if it is worn, damaged or not working properly. Call Hoveround Technical Support if repairs are needed.
- Always have a clear safe path, away from traffic hazards when loading or unloading the power chair.
- Always remove any obstacles in the pathway to the lift or below the operating area of the lift.

 **WARNING**

- Do not allow children to operate the lift or play in the area of the lift while operating.
- Do not put your feet or hands below the lift platform or in the path of any moving parts.
- Always park your vehicle on flat level ground and engage the vehicle emergency parking brake before attempting to load or unload the power chair.
- Always make sure you are clear of other vehicle traffic or hazards before loading or unloading the power chair.
- Securely position and tie down your power chair to the platform. Failure to securely position and tie down the power chair may result in serious harm to life and property.
- Always slow down when driving your vehicle with the lift or lift and power chair on your vehicle when encountering potholes, road obstructions, railroad tracks, speed bumps, rough roads or other situations that may cause excessive loads to be applied to the lift system. Damage to the lift system, your vehicle or the power chair may result during and after driving under those conditions.
- Do not attempt to move the vehicle unless the lift platform is stowed in the travel position and the platform is locked in place by the platform latch plate when the power chair is not installed on the lift.
- Always check tightness of all fasteners, knobs, arms, controller mounting screws and other components of the power chair to prevent parts from loosening and falling off while driving. Failure to do so may result in serious harm to life and property.
- Always have proper tire inflation for your power chair before using the power chair on the lift. Proper tire pressure is required for safe operation of this lift and the tie down system.
- Do not attempt to raise the rear of your vehicle with the lift or damage to your vehicle and lift may result.

HOVERLIFT® - Diagram



HOVERLIFT® - Warning Label

⚠ WARNING

ATTENTION:
PLEASE READ THE CONTENTS
OF YOUR OWNER'S MANUAL
BEFORE OPERATING YOUR
HOVERLIFT®.



Chapter 1

Installation

How to install to your vehicle:

WARNING

To avoid serious injury or death:

Always use a Class 2 or Class 3 hitch system. The lift has been designed for attachment to a Class 2 or Class 3 vehicle hitch system. Do not use with any other class of vehicle hitch system. Before installing the lift make sure the hitch has been properly installed, has no rust, corrosion, wear or damage and the front and rear vehicle suspension is in proper working order.

Do not alter or modify the lift in any way.

Do not attempt to raise the rear of your vehicle with the lift or damage to your vehicle and lift may result.

The lift is heavy. Exercise caution when attempting to lift into place. Ask for assistance. To prevent injury, do not attempt lifting beyond your capacity.

Follow these instructions to install the lift onto the vehicle:

If a license plate light is required the vehicle and hitch should be prewired for 12 volts so it can be plugged into the lift license plate light plug. A standard four way, flat style trailer hitch lighting plug is provided on the lift.

Position the lift into the hitch tube and align the mounting holes for the lift tube and hitch. Attach the lift hardware and tighten. See Figure 1A for Class 2 or Class 3 installations. After the hitch is installed, make sure there is adequate ground

clearance and the lift is level with the ground. A minimum of 8 inches of ground clearance is recommended. Do not exceed a hitch height of 19 inches (see Figure 1B).

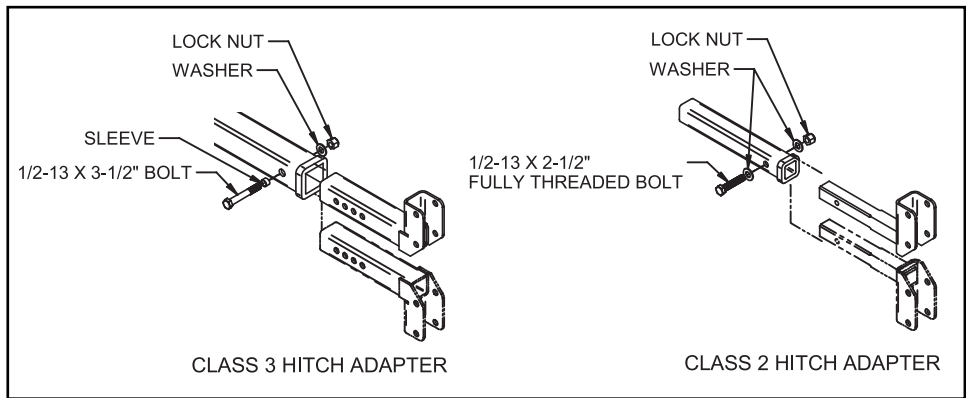


Figure 1A

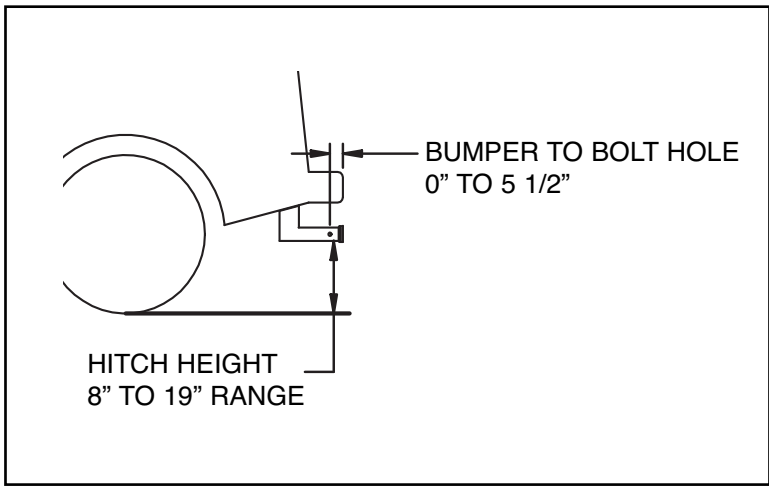


Figure 1B

If ground clearance height needs to be adjusted, reverse the position of the hitch tube or raise/lower the vertical tube to another position (see Figure 1C). Retighten all hardware before using lift. If a license plate light is required, plug in the light into the hitch harness.

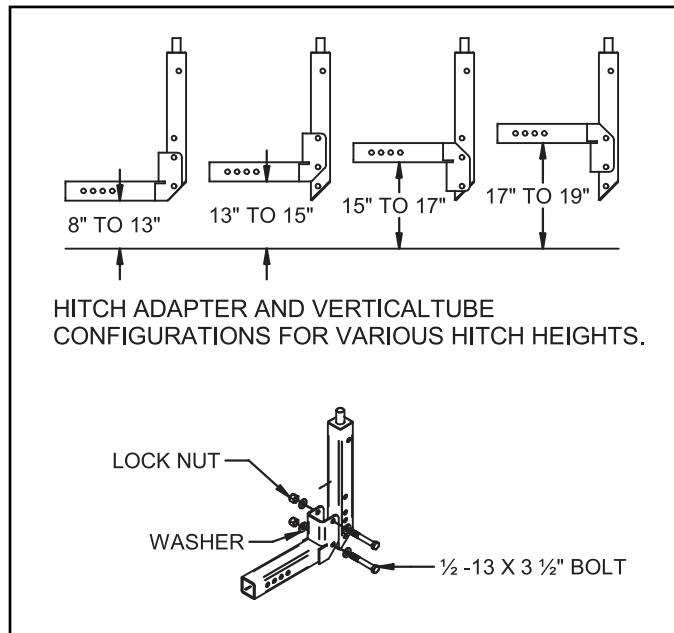


Figure 1C

Chapter 2

Loading / Unloading

WARNING

To avoid serious injury or death:

- Do not occupy the power chair while it is on the lift. The lift is not intended for human transport.
- Do not use the lift if it is worn, damaged or not working properly. Call Hoveround Technical Support if repairs are needed.
- Always have a clear safe path, away from traffic hazards when loading or unloading the power chair.
- Remove any obstacles in the pathway to the lift or below the operating area of the lift.
- Do not allow children to operate the lift or play in the area of the lift.
- Do not put your feet or hands below the lift platform or in the path of any moving parts or in potential pinch areas.
- Always park your vehicle on flat level ground and engage the vehicle emergency parking brake before attempting to load or unload the power chair.
- Securely position and tie down your power chair to the platform. Failure to securely position and tie down the power chair may result in serious harm to life and property.
- Always check tightness of all fasteners, knobs, arms, controller mounting screws and other components of the power chair to prevent parts from loosening and falling off while driving. Failure to do so may result in serious harm to life and property.
- Always have proper tire inflation for your power chair before using on the lift. Proper tire pressure is required for safe operation of this lift and the tie down system.
- Do not attempt to raise the rear of your vehicle with the lift or damage to your vehicle and lift may result.
- Never drive your vehicle with the platform in the lowered position. Damage could occur to both the lift and your vehicle.

How to load and secure your Hoveround® for transport

The following instructions apply to both the MPV5 and TEKNIQUE products. Please see the installation instructions supplied with the seat brackets in the HOVERLIFT® kit for preparing your power chair to be transported.

Place the vehicle on flat level surface free from traffic hazards with the emergency brake on. Make sure there is a clear path to the lift and there are no obstructions under lift. Remove accessories such as elevating leg rests, oxygen bottles, special cushions or other loose items that might fall off the chair while it is being transported, or that might interfere with the lift or lift movement.

MPV5 models require a Velcro strap to be wrapped under the base and over the batteries to prevent losing the batteries during transport.

If the platform is not in the down position, see instructions for lowering the lift and platform in Chapter 3.

Drive the power chair to line up with the platform. Put the footplate in the up position. Stand at the controller side of the chair and put the control in low speed (see Figure 2A).

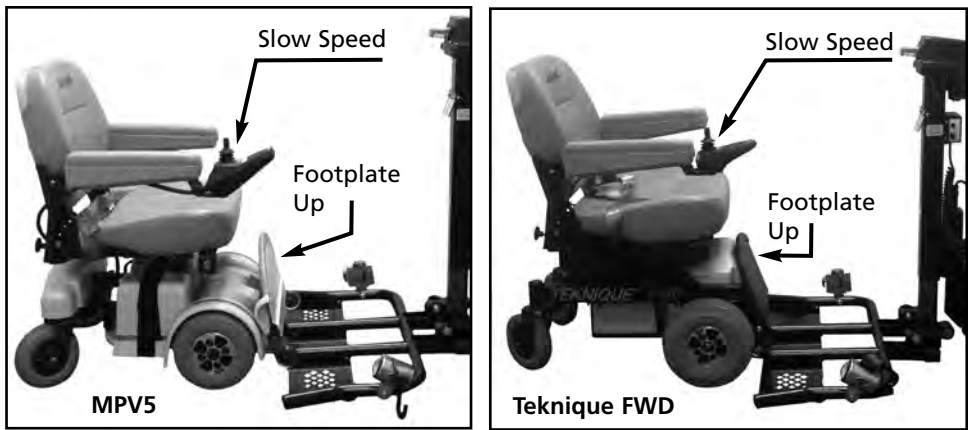


Figure 2A

Slowly move the power chair forward until it is fully seated in the platform and the front wheels are between the guide rails (see Figure 2B). Plug the lift cable into the controller (see Figure 2E).

Prepare the power chair for transport. Lower seat back and secure seat belt. Note: Seat belt should be positioned either over or under the seat back. Raise the lift about 2 inches so the wheels are off the ground. Attach tie down strap to each side of the power chair (see Figure 2D and 2H on next page).

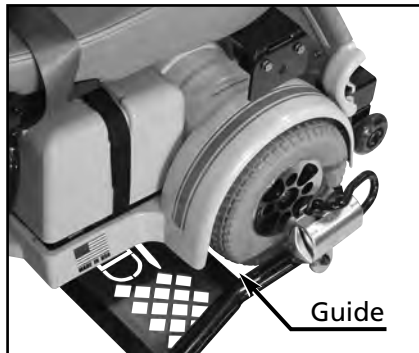


Figure 2B

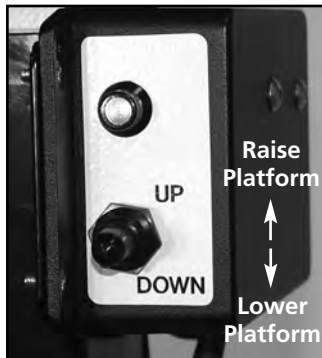
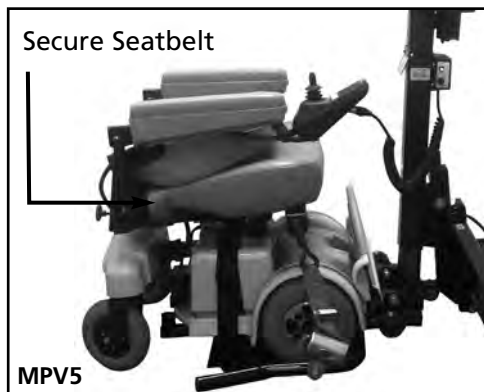


Figure 2C



MPV5



Technique XHD

Figure 2D



Figure 2E

Continue raising until the ratcheting sound is heard and the lift will no longer move up.

Tighten the left tie down strap by turning the knob counterclockwise (see Figure 2F). Tighten the right side by turning the knob clockwise (see Figure 2G). There is a ratcheting mechanism that will hold the tension on the strap when tightened.

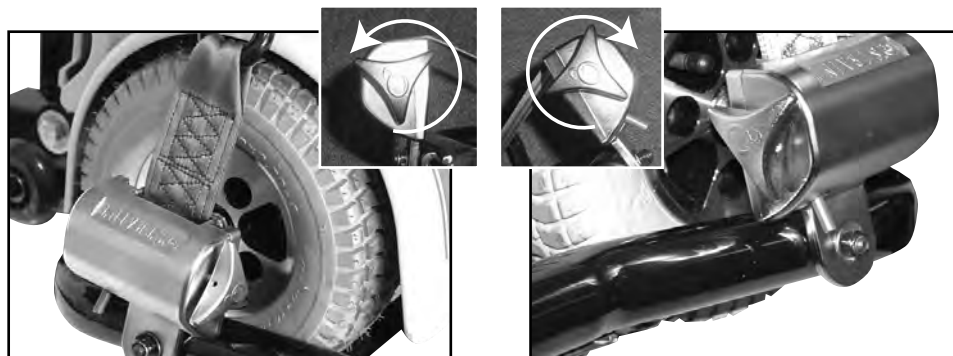


Figure 2F Left Side

Figure 2G Right Side

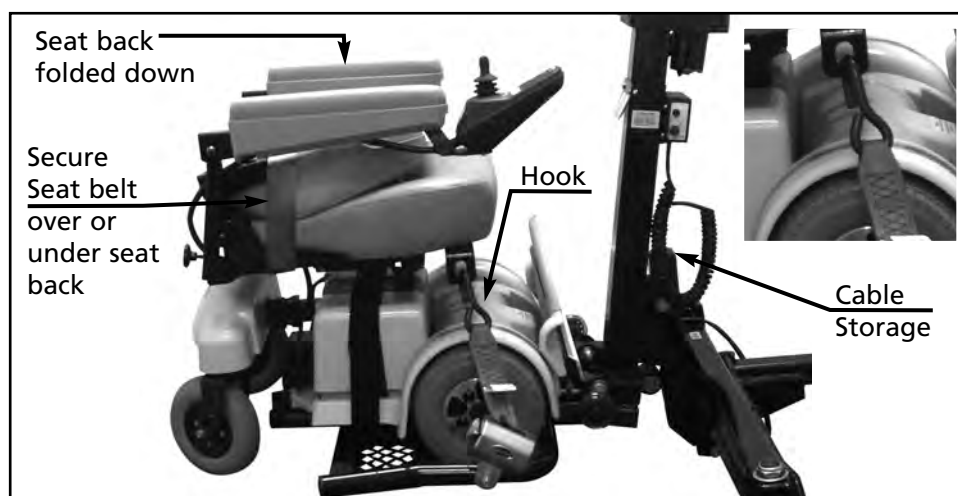


Figure 2H

Unplug the power cable and place it in the cable storage tube (see Figure 2H). Ensure the protective rubber gasket is sealed over the tube to prevent water from entering. The seat back must be folded down with the seat belt secured in front of the armrest tubes, either over or under the seat back. This prevents the belt from sliding off during transport and damaging the back of the power wheelchair (see Figure 2H). Make sure all knobs, fasteners and other items are secured tightly in place to keep from losing them during transport. To avoid damage due to inclement weather, always cover your power wheelchair with the cover that was provided with your lift.

Check to make sure the chair is properly in place on the platform with the wheels as shown and secured to the lift before driving the vehicle (see Figure 2H).

How to unload the power chair from the lift

⚠ WARNING

- Do not occupy the power chair while it is on the lift. The lift is not intended for human transport
- Do not overextend the lift in the down position. Lower the platform until it just touches the ground without lifting the vehicle. The lift is not intended to lift the vehicle.
- Check for obstructions before attempting to lower the platform.
- Check that your feet and hands are clear of the power chair and platform while it is being lowered.

Unloading your power chair

Place the vehicle on flat level surface free from traffic hazards with the emergency brake on. Make sure there is a clear pathway to the lift and there are no obstructions under the lift. Plug in power cord to the power wheelchair and lower lift, keeping hands and feet away from the bottom of the platform.

Remove the tie down straps by releasing some of the tension on the tie down release lever by turning the knob clockwise. Move the red lever to the release position and loosen the tie down strap by pulling on it (see Figures 2I, 2J).



Figure 2I Left

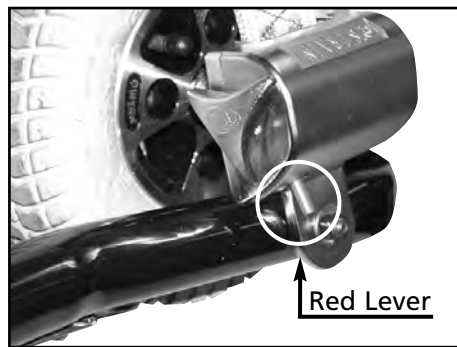


Figure 2J Right

Remove the hook from the tie down bracket and let the belt wind into the storage position by releasing the red release lever and turning the knob. Make sure the belt fully retracts to the storage position.

Unplug the power cable and return it to the storage tube. While standing on the controller side of the power wheelchair, turn on the power and place the controller in the lowest speed position and back the power chair off the platform (see Figure 2K).

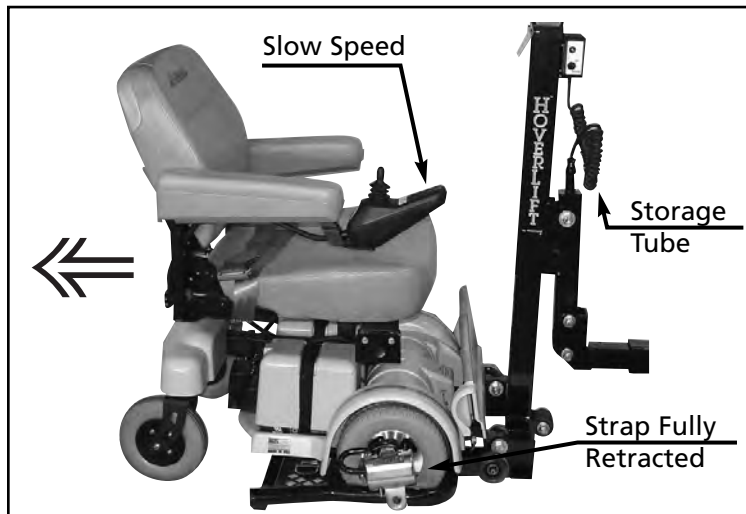


Figure 2K

Chapter 3

Storing The Platform For Transport

WARNING

To avoid serious injury or death:

- Always remove any obstacles in the pathway to the lift or below the operating area of the lift.
- Do not put your feet or hands below the lift platform or in the path of any moving parts or in potential pinch areas.
- Always make sure you are clear of other vehicle traffic or hazards.
- Do not attempt to move the vehicle unless the lift platform is stowed in the travel position and the platform is locked in place by the platform latch plate if the power chair is not installed on the lift.
- Do not attempt to raise the rear of your vehicle with the lift or damage to your vehicle and lift may result.
- Move the power cord to the side of platform when folded up to prevent pinching it in the platform catch while raising or lowering.
- Keep fingers away from the platform catch to prevent being pinched when raising the platform for storage.

Storing the Platform

Fold platform up, almost touching the mast. Locate the power chair close to the lift and plug the power cable into the controller. To prevent damage to the cable, make sure it will not be caught between the platform and mast. Push the control switch up to raise the platform (see Figure 3A).

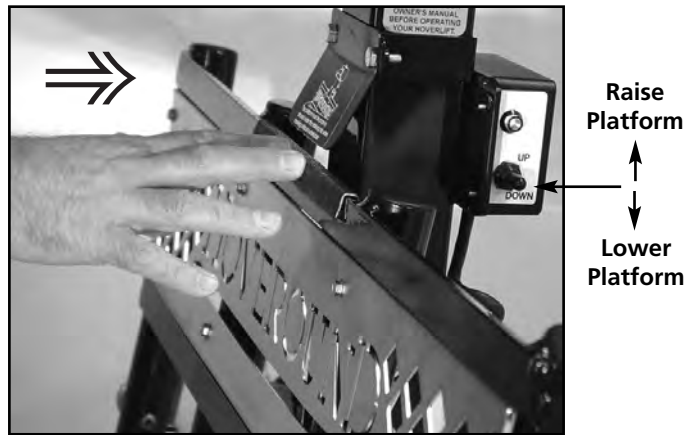


Figure 3A

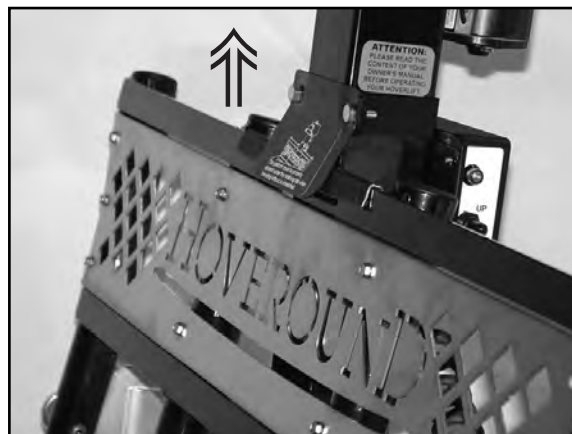


Figure 3B

When the platform is several inches from the platform catch, push the platform toward the mast so it will meet the catch as it rises to the locking final position (see Figures 3A, 3B). Keep fingers away from the platform catch to prevent being pinched when raising the platform for storage.

Continue raising the platform. When the platform has reached its final position, a ratcheting sound will be heard. Disconnect the power cable from the power chair and place it in the storage tube.

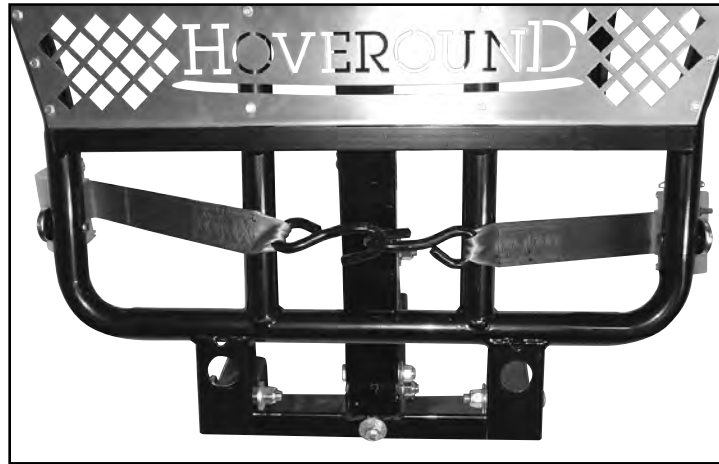


Figure 3C

Hook the tie down cables through the platform to secure and tighten them for transport (see Figure 3C).

Check the platform to make sure it is fully latched and all items are in position.

To lower the platform from the stored position, reverse the steps.

Chapter 4

Routine Maintenance and Troubleshooting

General Troubleshooting Guidelines

The control box has an automatic reset fuse to protect the circuit in the case of overload. Once tripped the fuse will take a few minutes to reset before the up/down switch or green light will operate (see Figure 4A).

If the fuse continues to trip or the lift operates slower than usual, inspect the mast tube for proper lubrication and relube as necessary using all weather lithium grease.

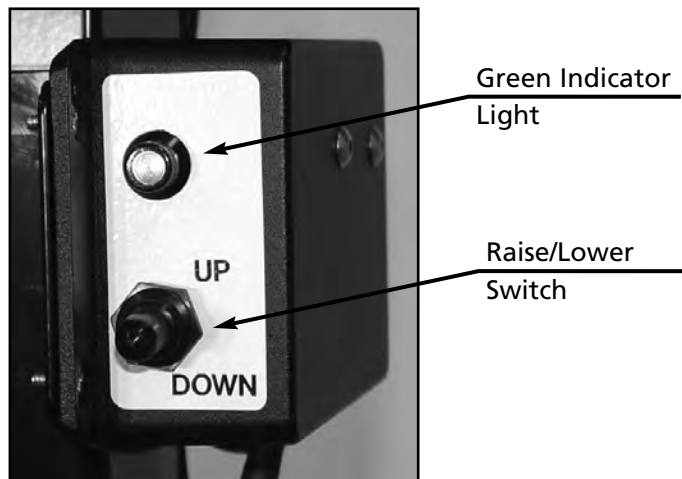


Figure 4A

Manual Operation

If you need to manually lower or raise the lift, unscrew the cap at the top of the cover to expose a 3/8 inch nut. Attach a 3/8 inch socket or wrench and turn clockwise to raise the lift or counter clockwise to lower the lift (see Figure 4B).

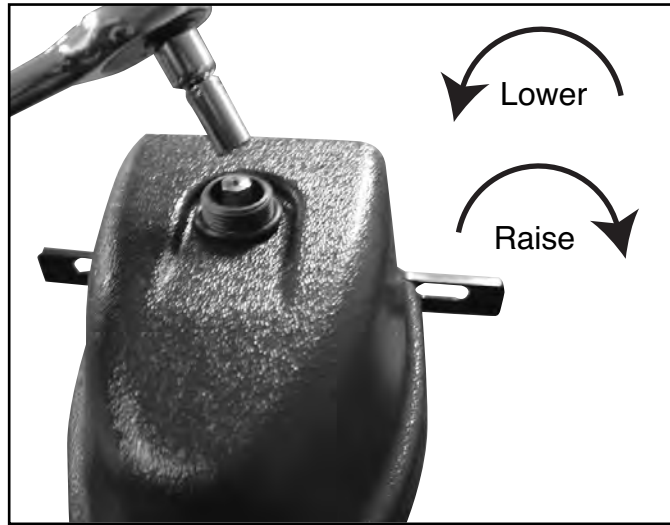


Figure 4B

Daily Maintenance

Inspect the tie down mechanism, straps, hardware and hooks for loose or damaged parts and repair or replace as necessary.

Inspect the tie down bracket on your power chair for damage or to see if it is loose and tighten or replace hardware or components as necessary.

Inspect the power cable and control system for wire or connector damage or loose parts and repair or replace as necessary.

Monthly Maintenance

Lubricate all pivot points and the telescoping square tube with all weather lithium grease.

Inspect all hardware and replace as necessary.

Visually inspect all components for wear, rust, structural damage, loose components and replace as necessary. Contact Hoveround Technical Support at 1-800-964-6837 for further help.



Chapter 5

Swing Away Arm Option

Swing Away Arm Option

Many HOVERLIFT® owners require access to the rear of their vehicle. When this is needed, a swing away arm can be installed. This allows the lift to easily be swung away, up to 180 degrees from the closed position, allowing access to the trunk or lift gate. Typically the added weight of the swing away requires a Class III hitch system. The swing away arm is not intended to be operated with a power chair in place on the platform.

Please read and understand all of the warnings and operating instructions before using your swing away arm.

WARNING

- Keep clear of the swing away arm and latching mechanism while opening and closing the swing away arm.
- Always ensure the vehicle is on level ground before attempting to open the swing away arm. Failure to do so may result in loss of control of the swing away arm and cause damage to your vehicle and injury to yourself.
- Never operate the swing away arm with the power chair on the lift. This will cause damage to the swing away arm, possible vehicle damage, power chair damage and injury to yourself.
- Always fold and lock the platform in the up position before attempting to open or close the swing away arm.
- Always install the safety pin and check to see the safety pin is in place before operating your vehicle.
- Always verify the red knob is fully retracted into the seated position before operating your vehicle.



⚠ WARNING

- Do not use the swing away arm if any of the components are worn, damaged or not working properly. Call Hoveround Technical support if repairs are needed.
- Always have a clear safe path, away from traffic hazards when using the swing away arm.
- Always remove any obstacles in the path of the swing away arm before unlatching and using the swing away arm.
- Always make sure the swing away arm is open, away from your body and stationary before attempting to access the rear of the vehicle.
- Only drive the vehicle when the swing arm is closed and the safety pin and latching mechanism are securely in place.

Opening the Swing Away Arm

Fold the platform to the up position and raise until it locks in place as pictured (see Figure 5A).

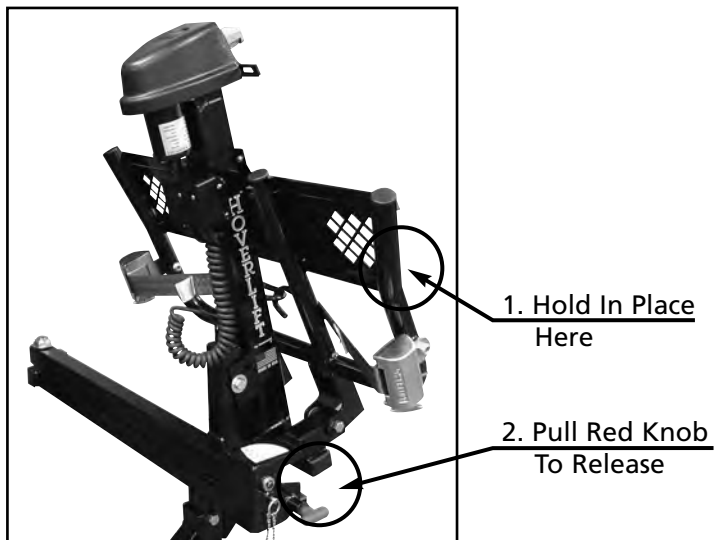


Figure 5A

Remove the safety pin (see Figure 5b).

While holding the raised lift in place to prevent it from swinging freely, pull and hold the red knob to release the locking pin (see Figure 5A and 5B).

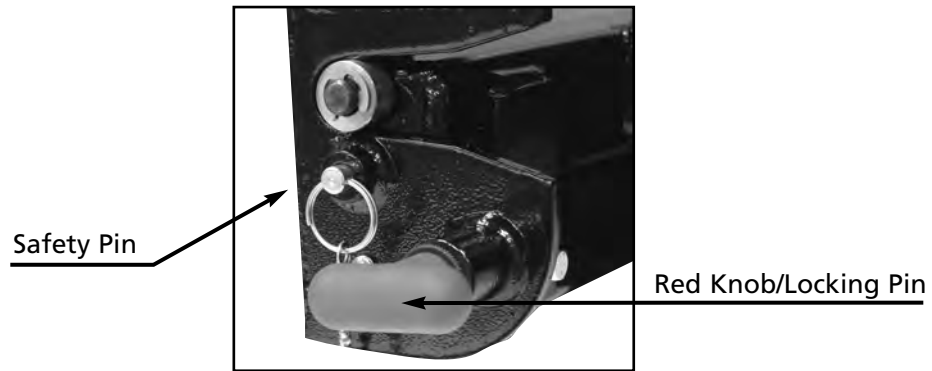


Figure 5B

Swing the lift to the desired open position. The red knob can be released as soon as the swing away arm clears the locking pin (see Figure 5C).

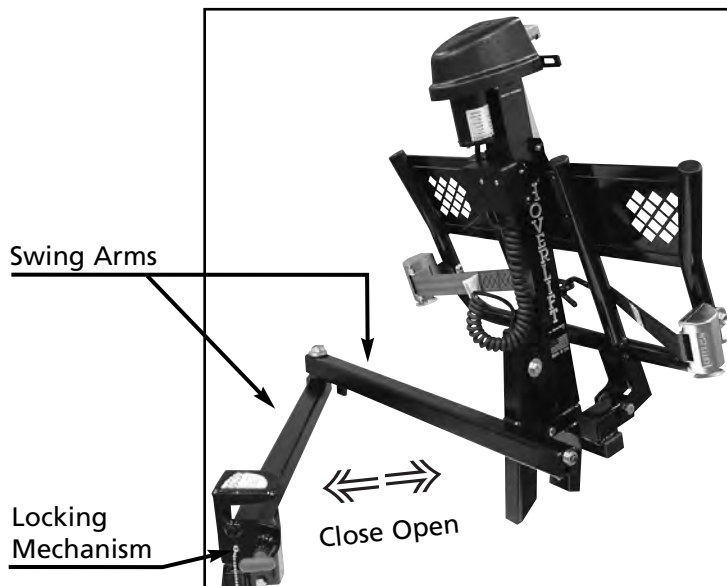


Figure 5C

Closing the Swing Away Arm

From the opened position, close the swing away arm like closing a car door. This will seat the swing arm to the latching mechanism. Be careful to keep clear of the locking mechanism and swing away arms when the arms are moving (see Figure 5C).

When the arm is closed and the locking pin is fully seated, install the safety pin (see Figure 5b). Verify the red knob is retracted into the seated position. The red knob should be fully seated with no gap (see Figure 5D).

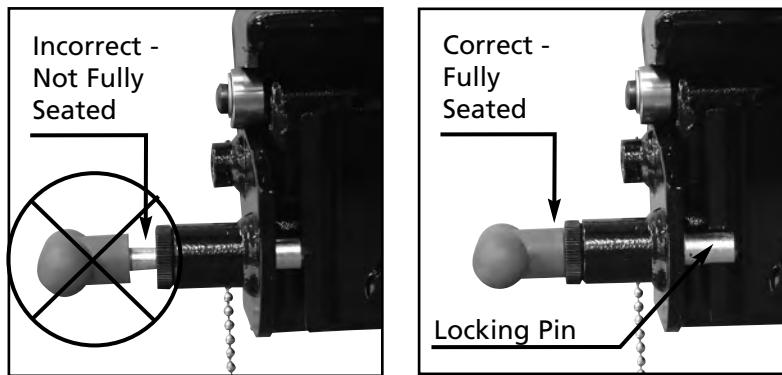


Figure 5D



Appendix A:

HOVERLIFT® Specifications

For use with:

Hoveround MPV5

Dimensions and Weight

Weight of HOVERLIFT®

80 lbs

Folded Size (L x W x H)

8" x 32" x 33"

Extended Size (L x W x H)

25" x 32" x 33"

Hitch to ground range

8" min to 19" max

Hitch

Approved hitch class

Class 2 or Class 3 only

For use with:

FWD

Dimensions and Weight

Weight of HOVERLIFT®

80 lbs

Folded Size (L x W x H)

8" x 32" x 33"

Extended Size (L x W x H)

28" x 32" x 33"

Hitch to ground range

8" min to 19" max

Hitch

Approved hitch class

Class 2 or Class 3 only

For use with:

XHD and HD-6

Dimensions and Weight

Weight of HOVERLIFT®

85 lbs

Folded Size (L x W x H)

8" x 37" x 33"

Extended Size (L x W x H)

29" x 37" x 33"

Hitch to ground range

8" min to 19" max

Hitch

Approved hitch class

Class 3 only

Note: Specifications and equipment subject to change without notice.

Swing Away Arm Option Specification

Dimensions and Weight

Weight of Swing Away Arm

40 lbs

Folded Size (L x W x H)

38" x 4.5" x 17"

Arms at 90 degrees (full swing back)

Platform outer edge to inner swing arm

45"

Arms at 180 degrees (full side swing)

Platform outer edge to hitch center

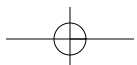
69"

Hitch

Approved hitch class

Class 3

Note: Specifications and equipment subject to change without notice.



Limited Warranty

Hoveround® Corporation warrants the products manufactured by it to be free from defects in materials and workmanship for a period of one (1) year from the date of purchase. If, within such warranty period, any such product shall be proven to Hoveround's® satisfaction to be defective, such product shall, at Hoveround's® option, be repaired or replaced. Hoveround's® sole obligation and your exclusive remedy under this warranty shall be limited to such repair and/or replacement.

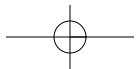
For warranty service please contact your authorized Hoveround® service center. In the event that you do not receive satisfactory warranty service, please write or call directly to Hoveround®, provide the service center's name and address, and indicate the nature of the problem.

Please do not return products directly to Hoveround® without our prior written consent.

Limitations and exclusions:

The foregoing warranty shall not apply to normal wear and tear; or to products subjected to negligence; accidents; improper operation, maintenance or storage; commercial, institutional, or service use other than normal application; or to products damaged by reason of repairs or modifications made to any product without the specific written consent of Hoveround®, or to products damaged by circumstances beyond Hoveround's® control. This warranty applies in the USA only and only within the geographic boundary of the Hoveround® service network.

The foregoing warranty is exclusive and in lieu of all other express warranties, implied warranties, if any, including but not limited to the implied warranties of merchantability and fitness for a particular purpose, and shall not extend beyond the duration of the express warranty provided herein. Hoveround® shall not be liable for any consequential or incidental damages whatsoever.



HOVEROUND[®]

Personal Mobility Vehicles

Phone: 1-800-96-HOVER (1-800-964-6837)

Fax: 1-800-747-9252

6010 Cattleridge Drive | Sarasota, Florida 34232-6061

www.hoveround.com