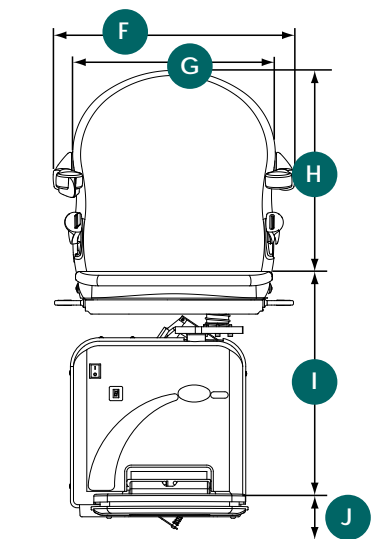
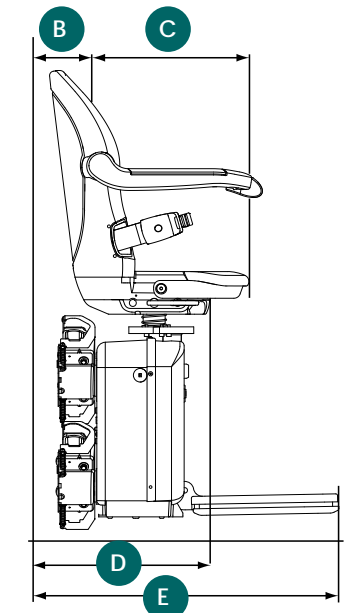
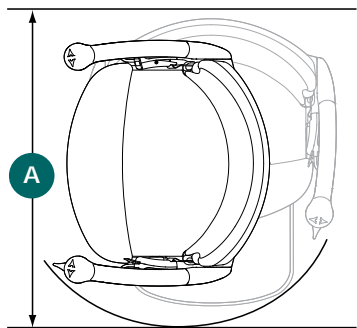
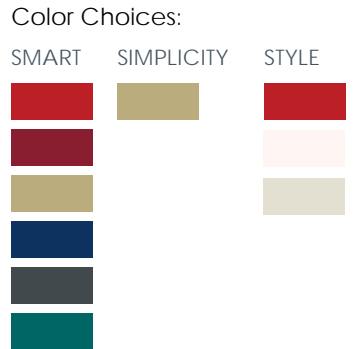


# H2000 Dimensions



	SEATS	SMART	SIMPLICITY	STYLE
A	Minimum swivel radius	27.1"	28.4"	28.4"
	With armrest spacers	28.1"	-	-
	With extended armrest spacers	28.75"	-	-
	With short armrest	-	27"	27"
B	Wall to inner seat back	5.5"	4"	3.5"
C	Seat depth	14.25"	15"	15.4"
	With extended seat	16.75"	-	-
D	Minimum folded width to footrest*	16.1"	15.75"	15.75"
E	Minimum open width to edge of footrest	27"	27.1"	27.1"
F	Armrest width - external	21.6"	25"	22.5"
	With armrest spacers	23.25"	-	-
	With extended armrest spacers	25"	-	-
G	Armrest width - internal	18.25"	18.75"	17.75"
	With armrest spacers	20.25"	-	-
	With extended armrest spacers	22.25"	-	-
H	Seat back height	17.9"	16.4"	15.75"
I	Footrest to seat height			
	Standard seat option	19.1" - 24.75"	19.5" - 22.9"	19.5" - 22.9"
	Perch seat option	25.6" - 34.5"	-	-
Fixed seat option	16.75" - 17.5"	-	-	
J	Minimum footrest height	2.75"	2.75"	2.75"
	Minimum track intrusion into staircase	4.5"	4.5"	4.5"
	Maximum weight limit	250 lbs	250 lbs	250 lbs
	Heavy duty version	300 lbs	300 lbs	300 lbs

\* Dimensions may vary depending on hand of seat



# HOVEROUND Stairlifts



Ready to take your home back with a Hoveround Stairlift? Call today!  
**800-625-2190**



Hoveround Corporation  
2151 Whitfield Industrial Way  
Sarasota, FL 34243

800-625-2190  
stairlifts@hoveround.com  
www.hoveround.com/stairlifts

# H2000 CURVED STAIRLIFT



# H2000

## CURVED STAIRLIFT

The **H2000** boasts the tightest track bends in the industry today, allowing it to fit tightly against the wall. Each H2000 is custom built and engineered to the specific parameters of your home's staircase. Coupled with a host of advanced features, the H2000 ensures your stairlift is tailor-made just for you.

- Variety of seat options and track colors, including the ability to custom color match your track to your interior
- Includes user-friendly retractable seatbelt
- Each unit comes with 2 handheld remotes to easily retrieve the stairlift
- Prevent unauthorized use with provided key
- Upgrade to optional powered features to automatically fold the footrest or swivel your seat toward the landing
- Lifetime warranty on the motor and gearbox; 2 year manufacturer's parts warranty

A tailor-made solution for your curved staircase



[www.hoveround.com/stairlifts](http://www.hoveround.com/stairlifts)

## Ergonomic and innovative design features

### COMPACT



Custom built to fit your staircase, this **space-saving** track minimizes space taken up on your stairs.

### SAFE



Surrounded by **safety sensors**, Handicare stairlifts are designed to stop if meeting an obstruction – keeping you safe and still on your seat.

### INTUITIVE



The toggle control was designed in collaboration with occupational therapists to ensure it is **easy-to-use** and operate – simply push with your hand, arm or wrist in the direction you want to

### VERSATILE



The **outdoor** stairlift is UV protected and weatherproofed to withstand the elements. Includes a waterproof cover so it is always dry and ready.

### REVOLUTIONARY



The **powered hinge** option prevents the track from obstructing a doorway at the base of the stairs.

### ADAPTABLE



The **Perch Seat** option is ideal for users with limited hip and knee flexibility. The low profile "perch" style seat means your legs don't have to bend to use it yet you still feel secure.

## Your first step to independence

For more information call 800-625-2190

**HOVEROUND**  
Stairlifts