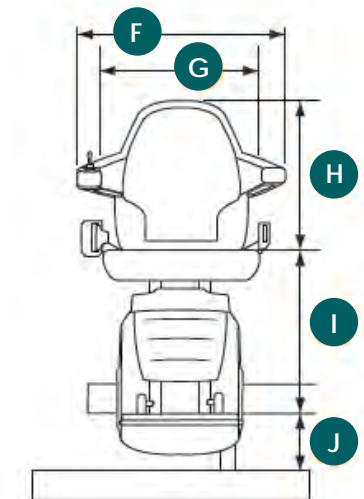
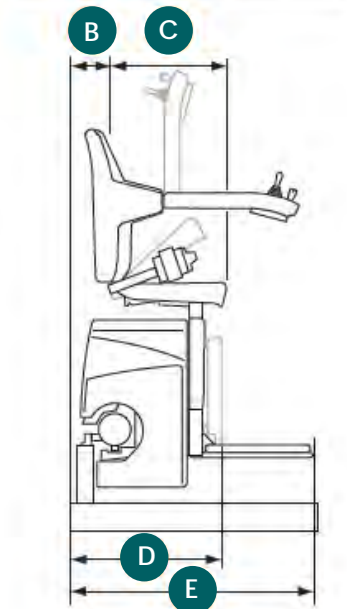
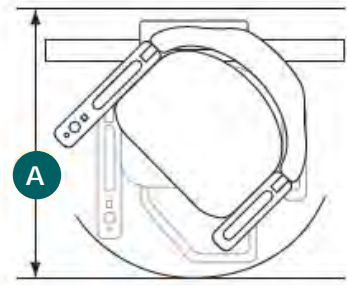


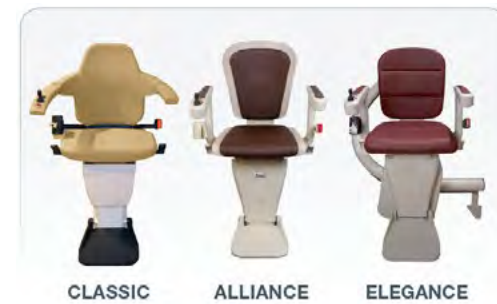
Freecurve Dimensions

HOVEROUND
Stairlifts



FREECURVE SPECIFICATIONS		DIMENSIONS
A	Minimum swivel radius	28.4" - 29.5"
B	Wall to inner seat back	4.1" - 5.1"
C	Seat depth	14.5" - 15"
D	Minimum folded width to footrest	16.5" - 17.4"
E	Minimum open width to edge of footrest Offset footrest	25.1" - 26" 24" - 24.75"
F	Armrest width – external	22.1" - 23.5"
G	Armrest width – internal	17.1" - 18.25"
H	Seat back height	15.5" - 16.4"
I	Footrest to seat height	18.6" - 19.5"
J	Minimum footrest height	3.9" - 4.9"
	Minimum track intrusion into staircase	6.75" - 7.5"
	Maximum weight limit	275 lbs

*Dimensions may vary based on seat style selected and may vary based on hand of seat.



Color Choices:



Upholstery is made from a wipe clean and flame-retardant material.

All of our stairlifts are tested and approved by worldwide independent inspection services to give you the assurance that our products meet the highest standards in terms of quality and safety.

Ready to take your home back with a Hoveround Stairlift? Call today!

800-625-2190

HOVEROUND
Stairlifts

Hoveround Corporation
2151 Whitfield Industrial Way
Sarasota, FL 34243

800-625-2190
stairlifts@hoveround.com
www.hoveround.com/stairlifts

Freecurve
CURVED STAIRLIFT



Freecurve

CURVED STAIRLIFT

A revolutionary design, the Freecurve utilizes a single tube that is custom built to fit your staircase. Coupled with a number of proprietary design options, the Freecurve maximizes your comfort while providing beautiful aesthetics and ultimate convenience.

- LED illuminated footrest improves visibility in the dark, preventing you or other stair users from stumbling over the unfolded footrest
- Includes user-friendly retractable seatbelt
- Each unit comes with 2 handheld remotes to easily retrieve the stairlift
- Prevent unauthorized use with provided key
- Variety of seat options and track colors, including the ability to custom color match your track to your interior
- Limited lifetime warranty on the motor and gearbox; 2 year manufacturer's parts warranty

A tailor-made solution for your curved staircase



www.hoveround.com/stairlifts

Ergonomic and innovative design features

VERSATILE



A special seat for **smaller riders** ensures a safe & comfortable ride no matter their size.

SAFE



Surrounded by **safety sensors**, Handicare stairlifts are designed to stop if meeting an obstruction – keeping you safe and still on

INTUITIVE



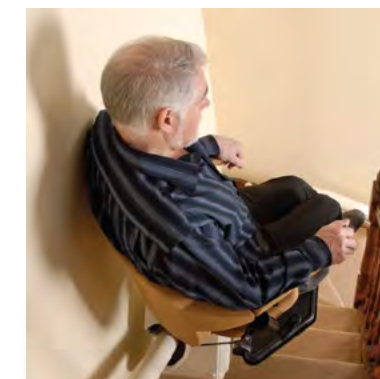
The easy-to-use joystick can be positioned on the left or right arm for **maximum control** and ensures a comfortable ride every time.

SUPPORTIVE



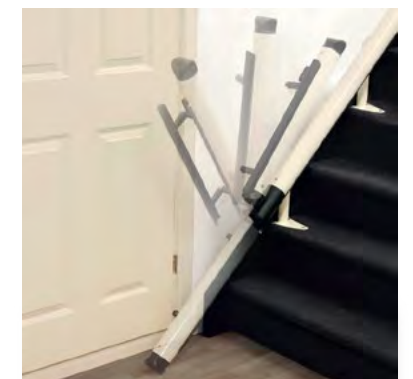
With just a pull of the lever, the clever **Active Seat** option makes sitting down or standing up on the stairlift seat much easier by supporting your movements.

CONVENIENT



The **Turn & Go** feature automatically swivels your seat forward while riding. A convenient solution for staircases as narrow as 27.25" or users with limited knee flexion.

ADAPTABLE



The Freecurve can be combined with a **powered hinge** or **drop nose** option to prevent track from obstructing a doorway at the base of stairs.

Your first step to independence

For more information call 800-625-2190

HOVEROUND
Stairlifts