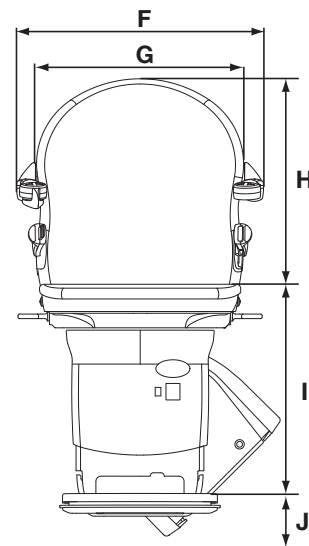
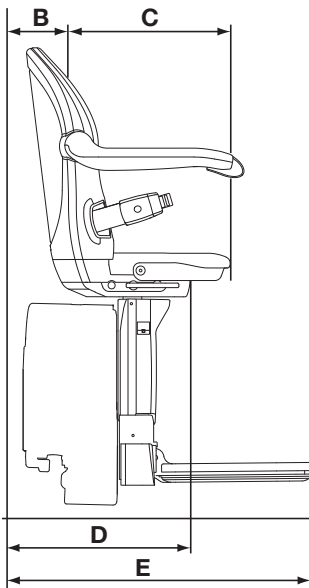
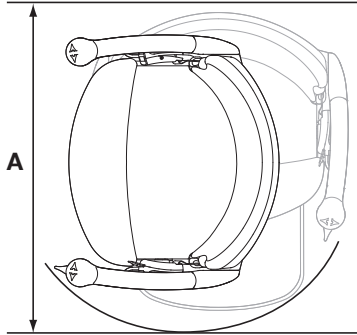


Smart seat – Handicare 1000 (XL + XXL)

Straight stairlifts



Smart seat	Dimensions
A Minimum swivel radius - With armrest spacers - With extended armrest spacers	26 3/8" 27 3/8" 28"
B Wall to inner seat back*	3"
C Seat depth - With extended seat	14 1/4" 16 3/4"
D Minimum folded width to footplate*	15 1/8"
E Minimum open width to edge footplate*	25 5/8"
F Armrest width – external - With armrest spacers - With extended armrest spacers	21 5/8" 23 1/4" 25"
G Armrest width – internal - With armrest spacers - With extended armrest spacers	18 1/8" 20 1/4" 22 1/8"
H Seat back height	17 7/8"
I Footplate to seat height - Standard seat option - Perch seat option**	18 1/4" - 21 1/4" 26 1/2" - 34 1/2"
J Minimum footplate height	3 3/8"
Minimum track intrusion into staircase	4 1/2"
Maximum weight limit - Standard version - Heavy duty version (XL)*** - Extra heavy duty version (XXL)***	300 lbs 350 lbs 440 lbs

* +1 3/4" for extra heavy duty (XXL) 2-way swivel with extended armrest spacers

** Not available for extra heavy duty (XXL)

*** Not available with hinged rail

Some of the above dimensions depend on the characteristics of the staircase in the home. Please consult the sales manual for further information about these dimensions and features of this seat. All information is provided in good faith but does not constitute a guarantee. Handicare reserves the right to alter designs and specifications without prior notice.