

HOW TO INSTALL YOUR HOVERLIFT

⚠ WARNING

To avoid serious injury or death:

Always use a Class 2 or Class 3 hitch system. The HoverLift has been designed for attachment to a Class 2 or Class 3 vehicle hitch system. The HoverLift with Swing Away can be used with only a Class 3 vehicle hitch system. Do not use with any other Class of vehicle hitch system.

Before installing the Lift or Swing Away, make sure the hitch has been properly installed, has no rust, corrosion or damage, and the front and the rear of the vehicle suspension is in proper working order.

Do not alter or modify the Lift or Swing Away in any way.

Do not release the Swing Away or attempt to swing it out with the Power Wheelchair on the Lift. This will damage your vehicle and the Swing Away.

Do not attempt to raise the rear of your vehicle with the Lift. This will damage your vehicle and the Lift.

The Lift and Swing Away are heavy. Exercise caution when attempting to lift in place. Ask for assistance.

Do not attempt lifting beyond your capacity.

Do not use damaged parts. If any parts are missing, do not make substitutions. Use only original authorized parts.

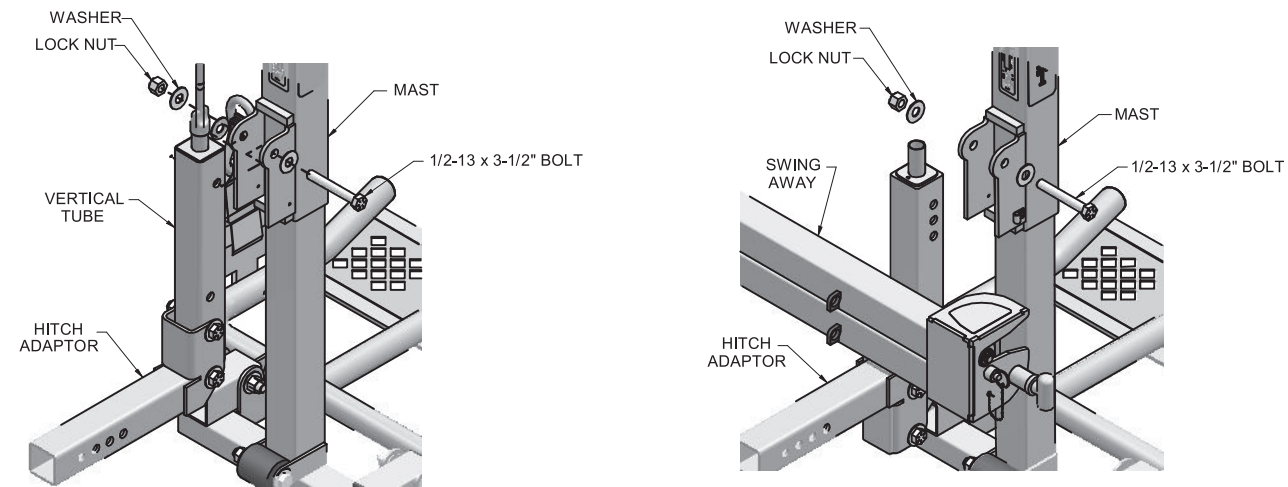


Fig. 6

If a license plate and light are required, install the plate using the two 1/4-20 Bolts and 1/4-20 Nylock Nuts and plug the four pin connector into the vehicle harness.

After the installation is complete, make sure there is adequate ground clearance. The minimum recommended level installed height is 8 inches for a standard Lift and 7 inches with a Swing Away. If ground clearance needs to be adjusted, reverse the position of the Hitch Adapter, or raise or lower the Vertical Tube to another position.

Power Wheelchair Tie Down Brackets

Attach the Power Wheelchair Tie Down Bracket to the seat following the instruction in the bracket kit for your style seat.

Additional information

The Power Wheelchair and Lift are ready for use. Check all hardware for tightness. Inspect the straps and hooks and make sure they are in good working order with no tears or damage to the strap, stitching or hook. Refer to the HoverLift Owner's Manual for safety warnings and operating instructions for the HoverLift, Tie Downs, Swing Away and how to load, secure and unload your Hoveround Power Wheelchair. If you have any question regarding the installation or use of your HoverLift or Swing Away, please call Hoveround Technical Support at 1-800-96-HOVER (1-800-964-6837).

Unpack boxes and check contents

Check for the following items:

- Mast assembly. See Fig. A.
- Platform with Tie Down Straps, Vertical Tube, Owner's Manual. See Fig. B.
- Hardware Pack - (3) 1/2-13 x 3-1/2" HHCS Zylan coated Bolts, (2) 1/2-13 x 3-1/4" HHCS Zylan coated Bolts, (8) 1/2" SS Washers, (5) 1/2-13 SS Nylock Nuts, (2) 1/4-20 x 3/4" HHCS SS Bolts, (2) 1/4-20 SS Nylock Nuts, (4) nylon Washers 0.06" thick. See Fig. B.
- Hitch Adapter and installation hardware - Class 2 hardware: (1) 1/2-13 x 2-1/2" Bolt, (1) 1/2-13 Nut. Class 3 hardware: (1) 1/2-13 x 3-1/2" Bolt, 1/2" Sleeve, 1/2-13 Nylock Nut. See Fig. C.
- Fabric Cover. See Fig. C.
- Seat Tie Down brackets and hardware. See Fig. C.
- Swing Away (optional). See Fig. D.

If parts are missing or damaged, call Hoveround Tech. Support at 1-800-96-HOVER (1-800-964-6837). Do not use damaged parts. If any parts are missing, do not make substitutions. Use only original authorized parts.

HOVEROUND®

Personal Mobility Vehicles

Phone: 1-800-96-HOVER (1-800-964-6837)

Fax: 1-800-747-9252

6010 Cattleridge Drive | Sarasota, Florida 34232-6061

www.hoveround.com

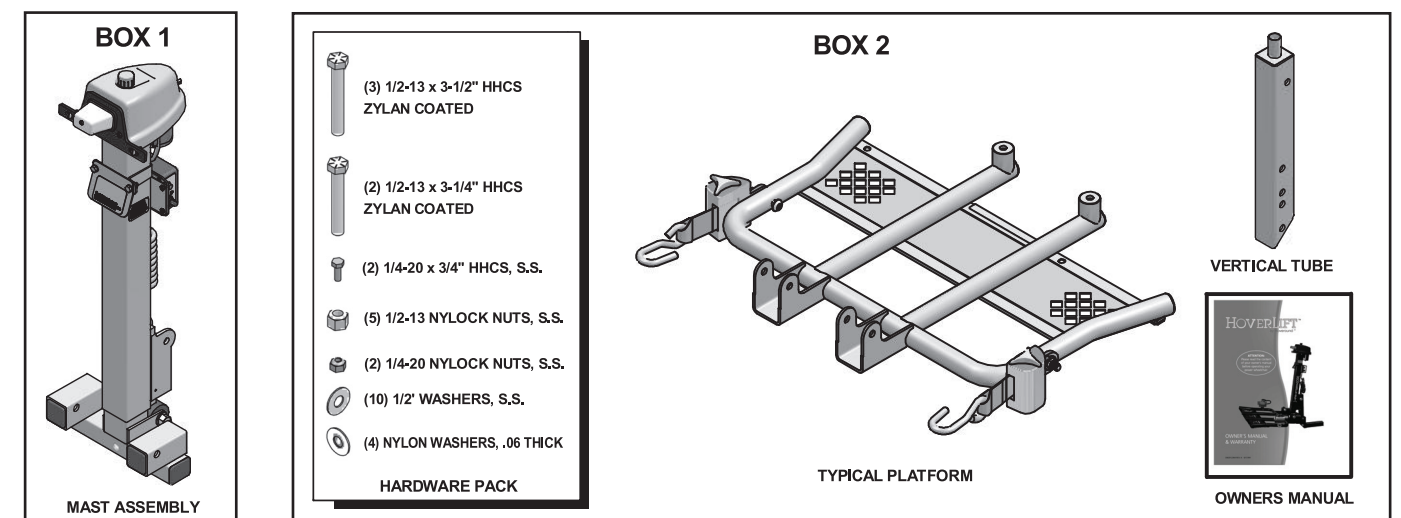


Fig. A

Fig. B

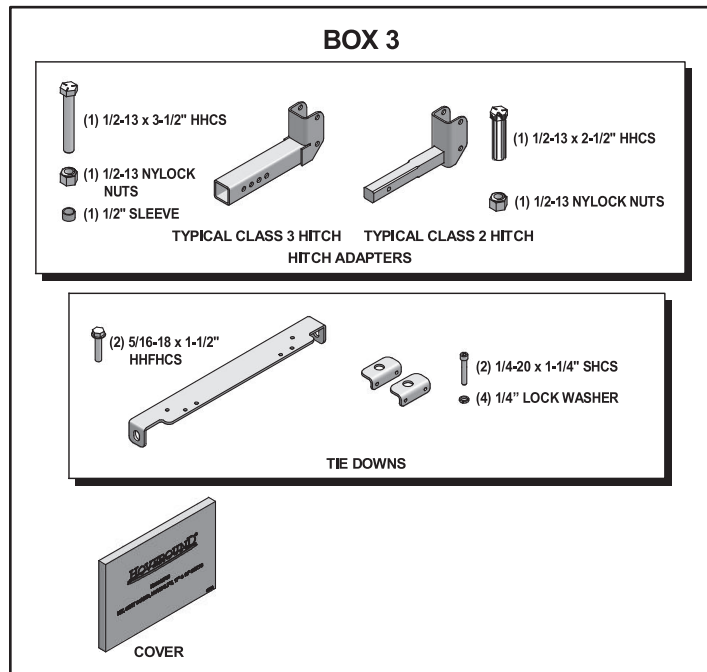


Fig. C

Required Vehicle items

In order to install the HoverLift, your vehicle must be equipped with the appropriate Class 2 or 3 hitch in good working condition and securely attached per manufacturer's instructions. A standard four connector trailer light plug is required to provide 12 volt hook up for the license plate light for states requiring that feature.

Installation

Measure the hitch to ground dimension for your vehicle. See Fig. 1. Use your measurement to determine the proper hole orientation to install the Hitch Adapter to the Vertical Tube or Swing Away. Determine the hole orientation from Fig. 2 or 3. If your hitch to ground measurement is beyond the range of the chart, you may require a "Drop Adapter" for the platform to reach the ground. Install the two 1/2-13 x 3-1/4" Bolts, 1/2" Washers and 1/2-13 Nylock Nuts provided, in the indicated holes and torque to 45 ft. lbs. See Fig. 2 or 3.

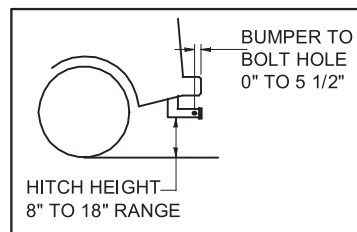


Fig. 1

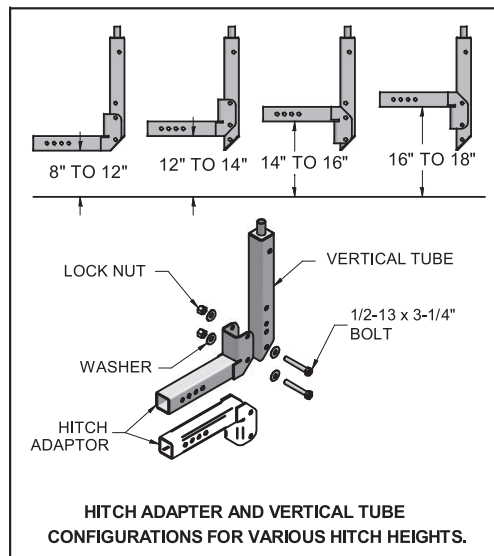


Fig. 2

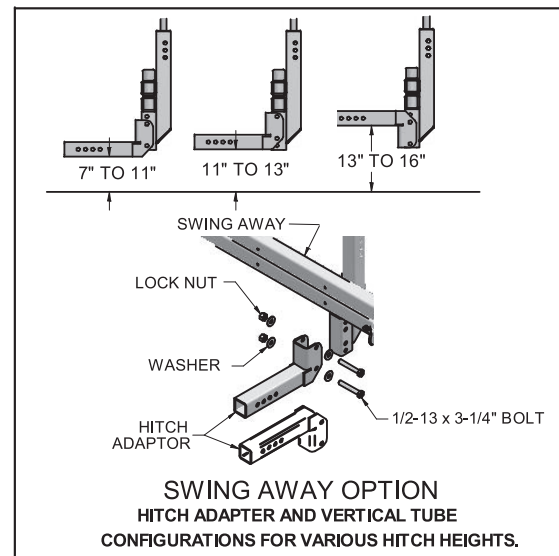


Fig. 3

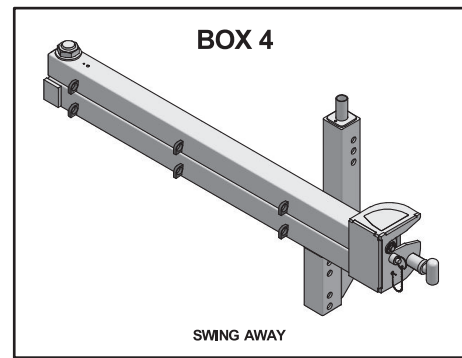


Fig. D

Install the Hitch Adapter and Vertical Tube or Hitch Adapter with Swing Away into the vehicle hitch using the hardware with the adapter kit. See Fig. 4. If using a Class 3 hitch, be sure the 1/2" Sleeve is properly seated to prevent damage to it when tightening. Torque to 45 ft. lbs.

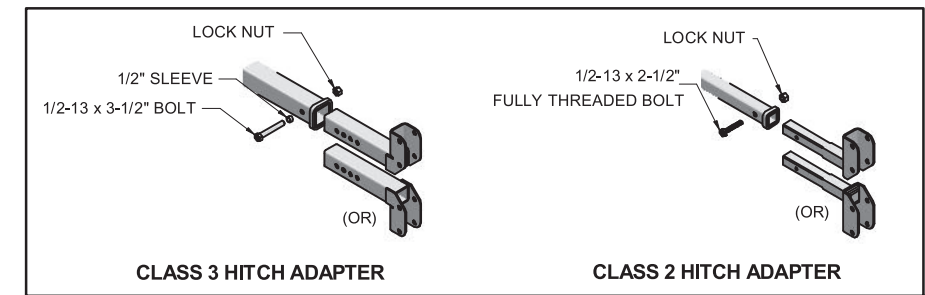


Fig. 4

Attach the Platform to the Mast using (2) 1/2-13 x 3-1/2" Bolts, (4) 1/2" Washers, (4) 1/2" nylon Washers and (2) 1/2-13 Nylock Nuts. These should be securely tightened and still allow the Platform to pivot. See Fig. 5.

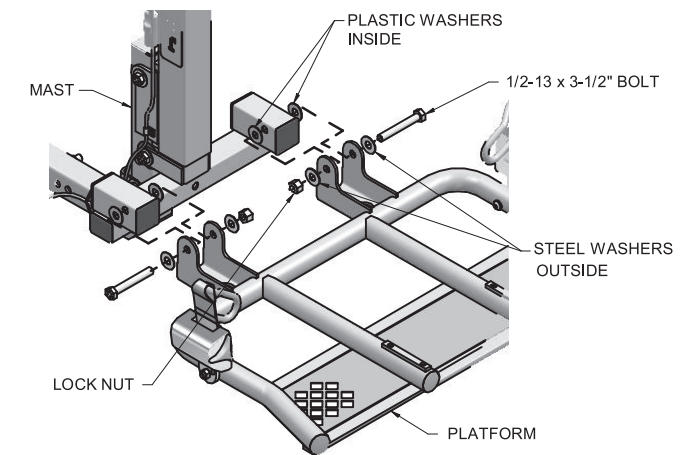


Fig. 5

Install the Mast and Platform assembly to the Vertical Tube, or Swing Away, using (1) 1/2-13 x 3-1/2" Bolt, 1/2" Washer and 1/2-13 Nylock Nut as shown in Fig. 6. This bolt should be securely tightened and still allow pivoting of the Mast on the Vertical Tube or Swing Away.

Move the Lift to line up with the Vertical Tube. The Lift can be powered up to the hitch if you find it too heavy to lift it into place. Refer to the Lift Owner's Manual for instructions on how to hook up and operate the control if you're not familiar with the procedure. Move the control switch on the Lift to raise the Mast hole into position relative to the Vertical Tube. When in position and the holes line up, slide the Mast to the Tube and install the hardware. When installing to a Swing Away, use the highest hole that the Mast will power up to for maximum ground clearance.