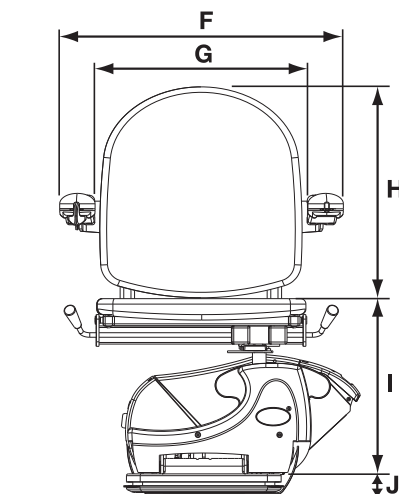
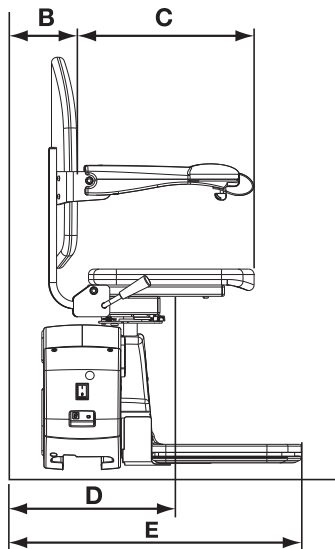
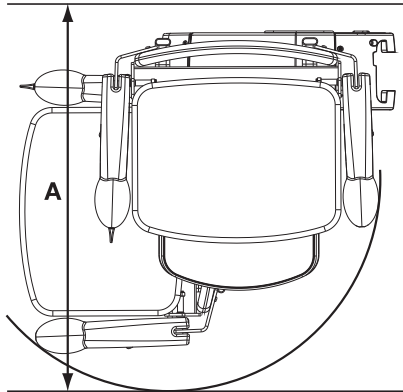


Simplicity seat – Handicare Simplicity

Straight stairlifts



Simplicity	Dimensions
A Minimum swivel radius - With short armrest	26 ¾" 25 ⅜"
B Wall to inner seat back	3"
C Seat depth	14 ½"
D Minimum folded width to footplate	11 ¼"
E Minimum open width to edge footplate	22 ⅞"
F Armrest width – external	23 ⅜"
G Armrest width – internal	18 ¾"
H Seat back height	15 ¾"
I Footplate to seat height - Standard seat option - Extended seat post	15 ⅜" – 19 ¼" 18 ⅛" - 22 ⅛"
J Minimum footplate height	2"
Minimum track intrusion into staircase	6 ¼"
Maximum weight limit - Hinged rail/Sliding Track	310 lbs 265 lbs

Some of the above dimensions depend on the characteristics of the staircase in the home. Please consult the sales manual for further information about these dimensions and features of this seat. All information is provided in good faith but does not constitute a guarantee. Handicare reserves the right to alter designs and specifications without prior notice.

