



## TEKNIQUE FWD

### Front-wheel drive

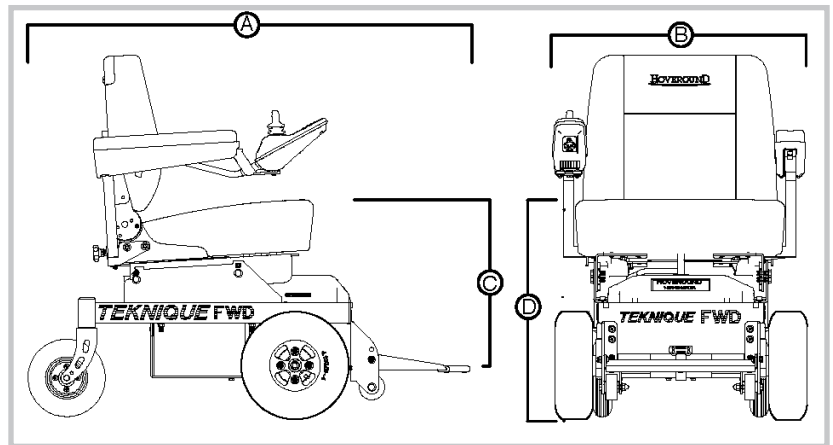
The Hoveround Teknik® FWD power chair is designed to easily maneuver both in the home and outdoors. The stable and powerful front-wheel drive allows for safe travel across different surface areas in a variety of environments.

### FEATURES & BENEFITS

- Expandable base for manual or power seating and positioning needs.
- Flip-up footplate and compact design for easy maneuverability.
- Higher ground clearance and powerful front-wheel drive performance.
- Adjustable armrests for comfort and maximized support.\*
- Lightweight, portable charger for recharging power chair batteries anywhere.

# TEKNIQUE FWD

- HCPCS K0822, K0823, K0830, K0831
- In-line motor, front-wheel drive
- Full range of positioning options available



PERFORMANCE (two-wheel, in-line, front-wheel drive)	
Maximum speed <sup>1</sup>	4.2 mph
Range (per battery charge) <sup>1</sup>	12 miles
Capacity	300 lbs
Turning radius	24"
Ground clearance	3.6"
Maximum step climb	2"
Maximum grade climb	6°
<b>DIMENSIONS AND WEIGHT (with 20" seat in lowest position and foot rest)</b>	
Length (A)	41.9"
Overall width (B)	25"
Top of seat cushion to foot rest (C)	15.2"
Top of seat cushion to floor (D)	20"
Seat height adjustment from lowest position	.8", 1.5" or 2.3"
Total weight, with batteries	176 lbs
Base only	88 lbs
Base with batteries	123 lbs
<b>BATTERIES</b>	
Type	2-UI
Construction	Sealed
<b>TIRES AND CASTERS</b>	
Tire type and tread	Pneumatic, non-marking
Tire diameter and width	10" x 3.5"
Caster type and tread	Solid, non-marking
Caster diameter and width	8" x 2"

SEAT	STANDARD		RECLINING <sup>2</sup>		
Width*	18"	20"	17"	19"	22"
Back height*	19.5"	19.5"	20"	20"	20"
Depth*	18"	18"	18"	18"	19"
Seat belt length	60"	60"	60"	60"	90"
Recline lever position	Folds Forward		Right	Right	Right
* Other sizes available					
<b>ARMS (all arms are padded, flip-up style)</b>					
Angle adjustment	15°				
Length	14"				
Length adjustment	2"				
Arm width	3"				
<b>CONTROLLER FEATURES</b>					
Proportional joystick control					
Programmable					
On/Off button					
Speed up/down control					
Battery gauge					
Locking feature					
Sleep timer					
Fault indicator w/diagnostics					
Knob options					
Charger port					
Horn					
PSL thru joystick for K0830, K0831					
<b>OPTIONS AND ACCESSORIES<sup>2</sup></b>					
Recline back seat					
Seat pan and cushion					
Round and square oxygen holders					
Crutch, cane and walker holders					

<sup>1</sup> Speed and range will vary with respect to terrain and weight of rider.

<sup>2</sup> May require medical necessity.

800-771-6565

www.hoveround.com